

# SHERMAN Touchless



The **Sherman Touchless** pushbutton is the perfect touch-free solution to the commonly touched elevator surface. Simply hold finger over button for sensor activation. Manual button function remains to meet code requirements.

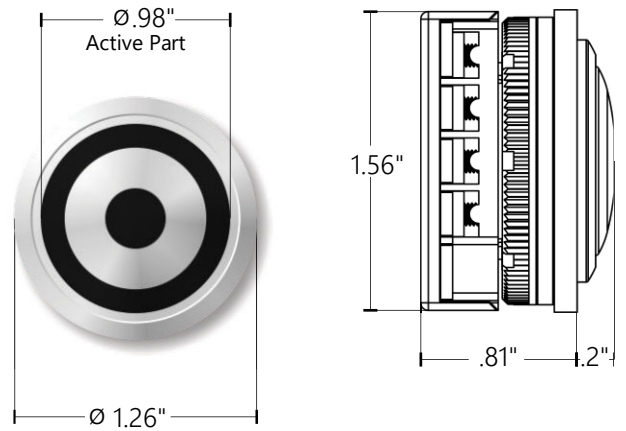
- ✓ Dual Technology: Electromechanical contact (activated by push) and proximity sensor
- ✓ Eliminates transferring germs through touched surfaces
- ✓ Perfect retrofit product for DMG/MAD buttons
- ✓ LED Illumination available in White



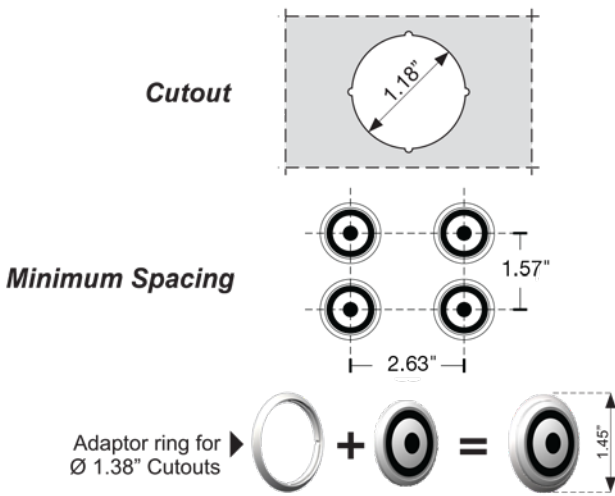
# General Details

- Mounting:** Frontal, by jam-nut
- Body:** AISI 303 turned stainless steel button
- Component Ordering:** Complete Assembly, BSLVF34MW.00
- Contacts:** mechanical mode: 1 contact 30V, 60mA  
touchless mode: opto relay 30V, 60mA
- Wiring:** screw terminals
- Voltage:** 24V DC, stand-by 15mA, max 50mA
- Illumination:** white
- Stroke:** 0.040"
- Avg. Life:** 1,500,000 activations
- Degree of protection:** IP44, IK07
- Cleaning:** Wipe down with mild soap and a damp cloth

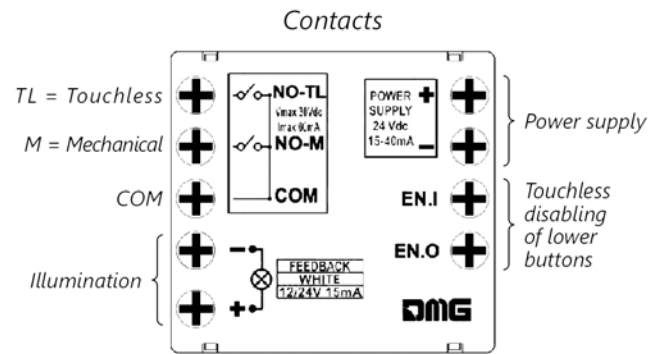
# Physical Characteristics



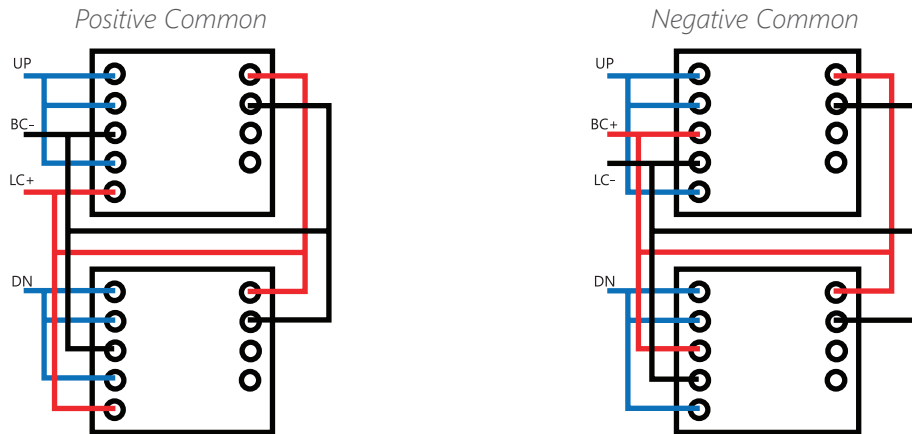
# Mounting Requirements



# Contact Block



# Wiring Diagram



This publication is for general informational purposes only. Product design is subject to change without notice. Actual product colors and finishes may vary.

Copyright © 2020 MAD Elevator Inc.